

COMPACT FEEDING LINE



MODEL	DEMAE 61/300	DEMAE 61/450	DEMAE 61/600	DEMAE 61/750
Max width (mm)	300	450	600	750
Max opening of rollers (mm)	4	4	4	4
Max feed section 900 / 1200 mm ²	300 x 3 / 4	450 x 2 / 2.7	600 x 1.5 / 2	750 x 1.2 / 1.6
Recommended min. thickness (mm)	0.5	0.5	0.5	0.5
∅ straightening rollers (mm)	60	60	60	60
Nº Motorized pull rollers	4	4	4	4
Nº straightening rollers	7	7	7	7
Nº straightening motorized rollers	4	4	4	4
Continuous speed (m/min)	60	60	60	60
Feed accuracy (mm)	± 0,05	± 0,05	± 0,05	± 0,05

Short "compact" feed line for unwinding, straightening and feeding in a single unit

Composed of the following machines and accessories:

- Motorized vertical decoiler with mechanical expansion.
- Electronic speed variator.
- Pneumatic clamping arm.
- Joining frame between both machines.
- Compact straightener-feeder.
- Height elevation of the straightener-feeder.
- First loop introduction system
- Side and back safety fence.

MOTORIZED DECOILER WITH MECHANICAL EXPANSION

Machine built in cold-rolled, welded and stabilized tubular steel structure.

Easy to install and handle and with little maintenance.

Built with high quality materials and a careful manufacturing process that guarantees a long life to the machine and a total absence of problems.

- Central axis of treated steel.
- Steel mandrel, welded and stabilized.
- Coil fastening by means of 6 adjustable side arms depending on the width of the band.
- Mechanical expansion of the mandrel driven by threaded spindle and crank

Min inside diameter	385 mm
Max inside diameter	525 mm
Max outside diameter	1400 mm
Max coil weight	2000 / 3000 Kg
Max coil width	300 / 450 / 600 / 750 mm
Variable turning speed	2-12 rpm

PNEUMATIC CLAMPING ARM

With actuation by pneumatic cylinder and electro-pneumatic manoeuvre.

Built using a welded, stabilized and mechanized flame cutting structure. With a central axis in high resistance steel.

The arm has a nylon-coated wheel with maintenance-free ball bearings, which improves rolling and prevents marks on the surface of the sheet metal.

The arm is adjustable, allowing us to easily place the arm in any position for alignment with different strip widths.

Max coil diameter	1400 mm
Min coil width	90 mm
Wheel diameter	200 mm

STRAIGHTENER – COMPACT FEEDER

Space saving system, designed in order to straighten and feed in a single unit

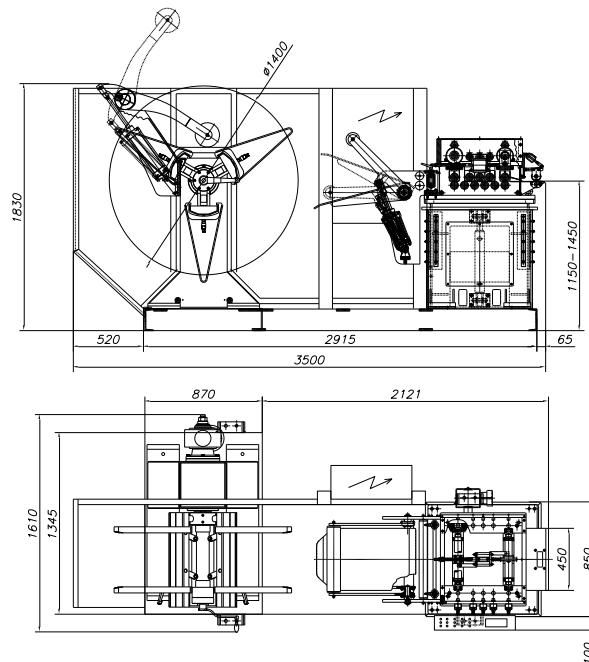
Easy to install and simple to program, the start-up of the EMAE Straighteners-Feeders can be carried out by the user company itself, quickly and safely.

The Motion-Drive electronic control system allows precise positioning of the strip in feeding processes with repetition of the same feed length.

- Robust construction and easy handling.
- Rollers and gears made of special treated and rectified steel with a surface hardness of 60-62 HRC.
- Main transmission through precision reducer.
- Transmission between rollers through precision spur gears, hardened and ground.
- Manual adjustment of the upper rollers by means of conical gears and threaded spindles.
- Micrometric reading of straightening penetration.
- Adjustable side guides at the entrance
- Support rollers at the entrance.
- Adjustable pneumatic system for pilot release and raising the group of upper rollers, to facilitate the introduction of the material and for work with dies with centering pilots
- System for introducing the first coil of the strip, made up of tilting elements, activated by pneumatic cylinders, which allows the material to slide easily towards the straightener-feeder without the need for the operator to manipulate the strap, thus avoiding unnecessary risks.
- Variable feeding height from 1100 to 1400 mm.
- 'Motion-Drive' digital servo-controller, for processes with repetition of the feed length.
- External encoder.

Connection cabinet and common electrical installation for both machines with the necessary auxiliary protection equipment for correct operation.

- General switch.
- Automatic-manual selector.
- Direction of rotation selector.
- Manual button.
- Emergency stop.
- Potentiometer for speed regulation.
- Electronic speed variator
- Loop excess control (Start-Stop) timer.
- Programming terminal with color LCD touch screen.
- Programmable feed length up to 9999 mm
- Programmable speed in %
- Diagnosis and display of error messages.
- Function parameters.
- Operation in continuous manual and automatic mode



THE MANUFACTURER RESERVES THE RIGHT TO MAKE TECHNICAL MODIFICATIONS NECESSARY FOR THE PROPER FUNCTIONING OF THE MACHINES.