

# Battery Powered Digital Pressure Gauges

## HTE2 Series

- Ranges from -1 to 1000 bar
- Accuracy  $<\pm 0.5$  FS
- Min & Max data capture
- Back lit display
- 2 x 1.5Vdc AA battery supply
- Compact and Rugged IP67
- 320° Rotatable Display



The ideal low cost solution to digital pressure testing. With display of pressure and pressure peaks, digital pressure gauges offer excellent accuracy and peak capture which a standard pressure gauge simply can not provide.

Plant Engineering  
Industrial machinery  
Agricultural machinery  
Hydraulics and Pneumatics  
Automotive

# HTE2 Series digital pressure gauges

HTE2 series digital pressure gauges are designed for both stationary and mobile measurement and display of pressure. They can be used as reference pressure gauges to simplify the checking, adjustment and calibration of other pressure measurement devices directly on site. Excellent protection against dust and moisture is provided by a membrane keypad with rubber buttons & rubber protective shroud.

### Advantages at a glance

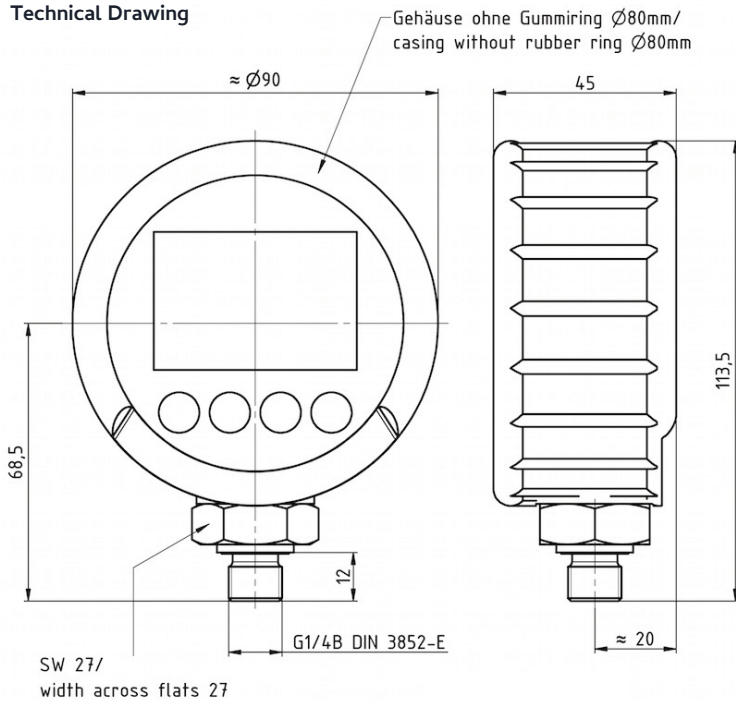
- Exact and reliable measurement
- High operational readiness
- Easy and clear readout with backlit display
- IP67 protection for harsh environments
- 2 x standard AA battery powered
- Supplemental min / max peak capture

### Components



- ① Cast zinc housing with rubber protection cap.
- ② LCD display with backlight.
- ③ Control panel with buttons.
- ④ G1/4" pressure connection thread.
- ⑤ Type plate.
- ⑥ Rear cover with fastening screws.
- ⑦ Integral Nitrile flat gasket seal

### Technical Drawing



### Display and control panel



- ① Measured value display.
- ② Control panel with buttons.
- ③ Bar graph display with drag indicator function.
- ④ Unit of measurement.
- ⑤ Full scale pressure & battery life indicator

### Order Codes

| Part Number* | Measuring Range | Resolution |
|--------------|-----------------|------------|
| HTE2-0016    | -1...16 bar     | 1 mbar     |
| HTE2-0060    | -1...60 bar     | 10 mbar    |
| HTE2-0250    | 0...250 bar     | 100 mbar   |
| HTE2-0400    | 0...400 bar     | 100 mbar   |
| HTE2-0600    | 0...600 bar     | 100 mbar   |
| HTE2-1000    | 0...1000 bar    | 100 mbar   |



Optional Minimesh® Male or Female adaptor to allow for easy hand tight connection / disconnection to Minimesh® test points or hoses (max working pressure 630 bar).

Different measuring ranges and accuracies of ±0.1% and ±0.05% are available on request.

\*-MM after part number for Minimesh® 1620 male adaptor fitted  
-MF after part number for Minimesh® 1620 female adaptor fitted

Battery Operated Digital Pressure Gauges

# HTE2 Series

## TECHNICAL SPECIFICATIONS

| Performance & Features                   |   |
|--|---|
| Pressure Ranges                          | (-1)...16 bar , (-1)...60 bar<br>0...250 bar, 0...400 bar<br>0...600 bar & 0...1000 bar |
| Measuring Accuracy (25°C)                | <0.5 % FS    ±1 digit   |
| Sampling rate                            | 10 ms   |
| Internal resolution AD converter         | 12 bit = 4,096 steps  |
| Temperature influence                    | 0.05% FS / 10 K   |
| <b>Display</b>                           |   |
| -- Actual value                          | 4 ½ digits (15 mm)  |
| -- MIN/MAX or Full Scale(FS)             | 4 ½ digits (8 mm)   |
| -- Bar graph                             | 33 segments (drag indicator function)   |
| -- Sampling rate                         | 50 ms (20 measurements /s)  |
| -- Backlight                             | 50 x 34 mm  |
| Pressure units                           | bar, PSI, mbar, kPa, MPa, kg/cm <sup>2</sup> , mH <sub>2</sub> O, inchH <sub>2</sub> O  |
| Electrical characteristics               |   |
| Supply voltage                           | Battery 2 x1.5 VDC AA (LR6 –AA), Alkaline (Mignon)                                      |
| Battery life                             | 1,500 hrs (without lighting)  |
| Degree of protection (EN 60529)          | IP 67   |
| Ambient conditions and process variables |   |
| Operating temperature                    | 0...50 °C   |
| Fluid temperature                        | -20...+80 °C  |
| Storage temperature                      | -20...+60 °C  |
| Relative humidity                        | < 85%   |
| Vibration                                | IEC 60068-2-6 / 10...500 Hz / 5 g   |
| Shock                                    | IEC 60068-2-29 / 11 ms / 25 g   |
| Materials & Dimensions                   |   |
| <b>Pressure connection:</b>              |   |
| -- Material                              | Stainless steel 1.4404  |
| -- Connection thread                     | ¼ " BSPP (ISO 1179-2)   |
| -- Gasket                                | NBR   |
| <b>Housing:</b>                          |   |
| -- Material                              | Zinc cast (Rubber protection shroud: TPE)   |
| -- Dimensions                            | Ø = 79 mm , Thickness = 33 mm (without rubber cover)                                    |
| Weight                                   | 540 g   |